

Number 9



9 9 9

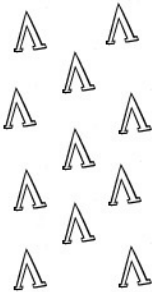
9 9 9

9 9 9

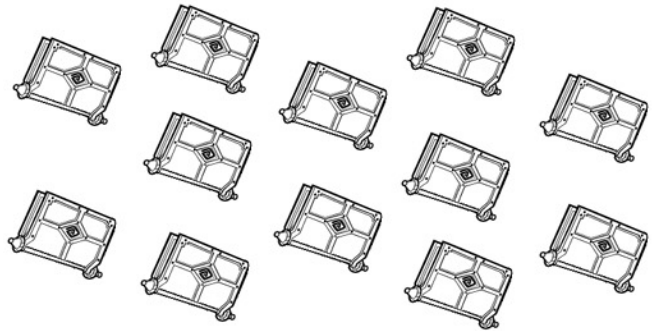
9 9 9

9 9 9

Which group has 9?



Color 9 books



Color 9 bags



Which group has 9?

